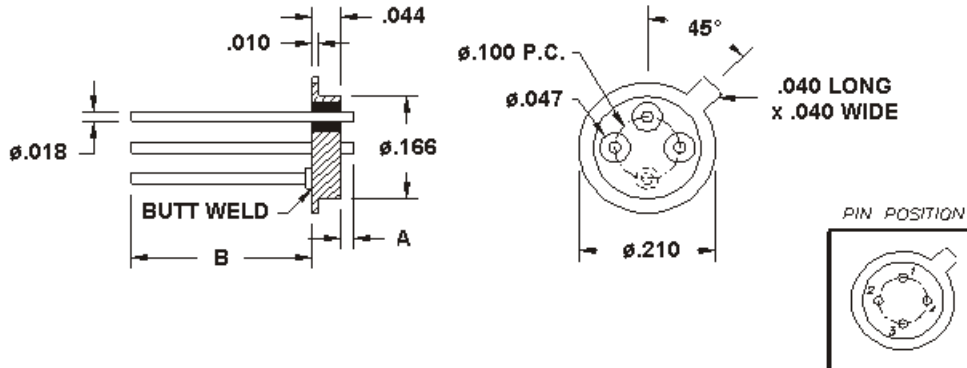


Headers

Sinclair TO-18 / TO-46 Series

Outline



Notes:

- Parts subject to revision without notice.
- Call Sinclair to verify design, inventory counts and pricing.
- \$750 minimum order.

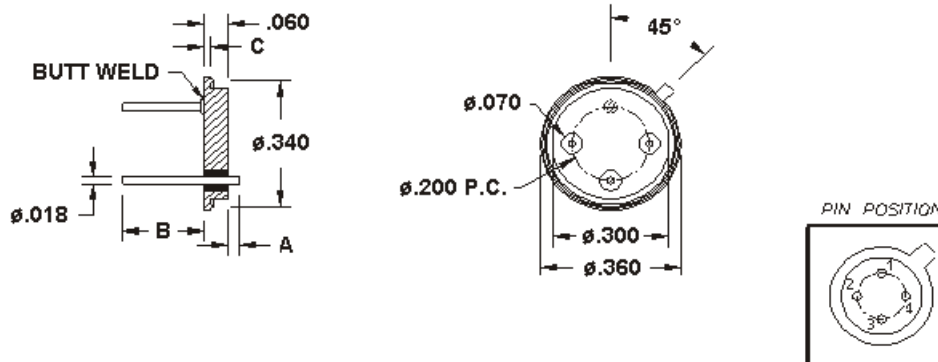
Details

Part Number	File No.	A	B	Isolated	Ground	Notes	Seal Type
BK210-010-2-1	HA-0763	.010	1.020	1	3		MATCHED
BK210-010-2	HA-0712	.010	1.521	1,3			MATCHED
BK210-012-6	HA-0771	.012	.512	CUSTOM		6-PIN, EQUI-SPACED	MATCHED
BK210-015-3-1	HA-0219	.015	.450	1,2	3	CENTER PUNCH MARK	MATCHED
BK210-015-3	HA-0038	.015	1.500	1,3	4		MATCHED
B210-020-3-2	HA-0262	.020	1.510	1	3	HOLE #2	COMPRESSION
BK210-020-3	HA-0214	.020	1.510	1,2	3		MATCHED
B210-020-3	HA-0263	.020	1.510	1,2	3		COMPRESSION
BK210-020-2	HA-0213	.020	1.510	1,3			MATCHED
BK210-023-3	HA-0218	.023	1.530	1,3	2		MATCHED
BK210-030-4	HA-0356	.030	.591	1,2,3	4		MATCHED
BK210-030-3-1	HA-0755	.030	1.125	2,4	3		MATCHED
BK210-030-3	HA-0363	.030	1.500	2,4	1		MATCHED
BK210-022-3	HA-0211	.033	1.000	ODD	2	NH PINS	MATCHED
BK210-021-3	HA-0220	.033	1.000	ODD	3	1 NH / 1 SW PIN	MATCHED
BK210-021-3-1	HA-0221	.033	1.000	ODD	3	NH PINS	MATCHED
BK210-022-3-1	HA-0212	.033	1.000	ODD	ODD	NH PINS	MATCHED
BK210-006-3	HA-0284	.036	.550	1	2,3	COPPER HEATSINK	MATCHED
BK210-040-3	HA-0215	.040	1.540	2,4	1		MATCHED
B210-045-3	HA-0264	.045	.330	1,2	3		COMPRESSION
B210-045-2	HA-0265	.045	.410	1	3	COPPER PEDESTAL BLOCK	COMPRESSION
BK210-046-2	HA-0004	.046	.500	1,2		FLAT PINS; THRU HOLE	MATCHED
BK210-050-3-1	HA-0119	.050	.450 MIN.	1,3	2	PEDESTAL	MATCHED
BK210-050-3	HA-0033	.050	.450 MIN.	1,3	4	PEDESTAL, HOLE	MATCHED
B-K-210-051-2-1G	HA-0568	.051	.492 MIN.	1,3	4	PEDESTAL	MATCHED
BK210-060-3	HA-0217	.060	1.520	2,4	3		MATCHED
BK210-060-2	HA-0216	.060	1.530	2,4			MATCHED

Headers

Sinclair TO-39 Series

Outline



Notes:

- Parts subject to revision without notice.
- Call Sinclair to verify design, inventory counts and pricing.
- \$750 minimum order.

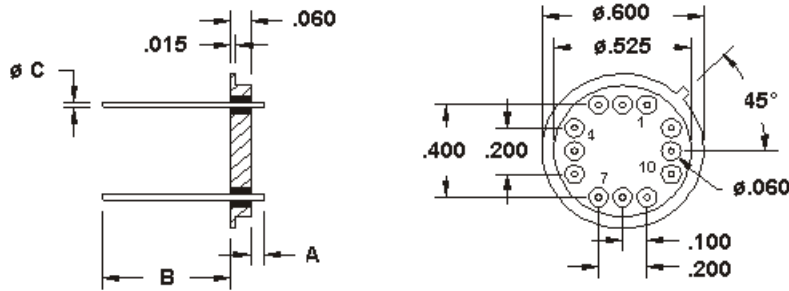
Details

Part Number	File No.	A	B	C	Isolated	Ground	Weld Ring	Notes	Seal Type
BWR-K-360-010-2-1G	HA-0628	.010	1.495	.030	1,3	2	Y		MATCHED
BWR360-010-2	HA-0556	.010	1.500 MIN.	.030	1,3		Y		COMPRESSION
BWR360-020-2	HA-0336	.020	1.425	.030	1	3	Y		COMPRESSION
BWR360-020-2-1	HA-0346	.020	1.510	.030	1	3	Y		COMPRESSION
B360-020-3	HA-0047	.020	1.550	.015	1,2	3			COMPRESSION
BWR360-1630-2-1G	HA-0490	.020	1.550	.015	1,2	3	Y		COMPRESSION
BWRK360-020-3-1	HA-0291	.020	1.570	.030	1,3	2	Y		MATCHED
BWR360-025-3-1G	HA-0506	.025	.515	.030	1,3,4	2	Y		COMPRESSION
BWR-K-360-025-4	HA-0511	.025	.530	.015	1,2,3,4		Y		COMPRESSION
BWR360-025-4	HA-0337	.025	1.440	.030	1,2,3,4		Y		COMPRESSION
BWR360-025-2	HA-0348	.025	1.540	.030	1,3		Y		COMPRESSION
BWR360-025-2-1	HA-0349	.025	1.560	.012	1,3		Y	.040 THK BASE; NO TAB	COMPRESSION
BWR360-030-4	HA-0095	.030	.515	.030	1,2,3,4		Y	PIN 3 SPECIAL	COMPRESSION
BWRK360-030-3	HA-0025	.030	1.410	.030	1,3	2	Y		MATCHED
BWR-K-360-1500-030-3-1G	HA-0469	.030	1.410	.030	1,3,4	2	Y		MATCHED
BWRK360-030-3-1	HA-0468	.030	1.425	.030	1,3	4	Y		MATCHED
BWR360-030-3-1	HA-0347	.030	1.505	.030	1,2	3	Y		COMPRESSION
B360-030-3	HA-0266	.030	1.51	.030	1,3	2			COMPRESSION
BWR360-030-2-1	HA-0339	.030	1.510	.030	1	3	Y		COMPRESSION
BWR360-030-3	HA-0340	.030	1.510	.030	1,3	2	Y		COMPRESSION
BWR360-030-4-1	HA-0341	.030	1.510	.030	1,3,4	2	Y		COMPRESSION
BWR360-030-2	HA-0338	.030	1.510	.030	3	1	Y		COMPRESSION
BWR360-040-2-1	HA-0353	.040	.500	.030	1,3		Y		COMPRESSION
BWRK360-040-2	HA-0756	.040	.515	.030	1,3		Y		MATCHED
BWR-K-360-040-2-1G	HA-0552	.040	.625	.030	1,3	2	Y		MATCHED
BWR360-040-2	HA-0476	.040	1.425	.030	1	3	Y		COMPRESSION
BWR360-1500-040-2	HA-0475	.040	1.425	.030	1,3		Y		COMPRESSION
BWRK360-040-3	HA-0467	.040	1.425	.030	1,3	2	Y		MATCHED
BWR-K-360-1625-040-2-1G-R	HA-0483	.040	1.550	.030	1,3	2	Y		MATCHED
BWR-K-360-045-3	HA-0560	.045	.500 MIN.	.015	1,2,3		Y		MATCHED
BWRK360-045-3	HA-0295	.045	.515	.030	1,3	2	Y	COPPER PEDESTAL	MATCHED
BWRK360-045-2	HA-0009	.045	1.000	.030	1,3	2	Y		MATCHED
BWR360-1500-040-2-1G	HA-0474	.045	1.420	.030	1,3	2	Y		COMPRESSION
BWR360-050-4-2	HA-0352	.050	.250	.030	1,3,4	2	Y		COMPRESSION
BWR360-050-4-1	HA-0067	.050	.510	.030	1,2,4	3	Y	HEAT SINK	COMPRESSION
BWR360-050-4	HA-0031	.050	1.515	.030	1,2,3,4		Y	NO TAB	COMPRESSION
BWRK360-055-3	HA-0102	.055	.525	.030	1,3	2	Y		MATCHED
BWR-K-360-060-2-1G	HA-0534	.060	.550	.030	1,3	2	Y		MATCHED
BWRK360-060-3	HA-0042	.060	1.505	.030	1,3	2	Y		MATCHED
BWRK360-070-3	HA-0296	.070	.500	.030	1,3	2	Y		MATCHED
BWRK360-100-3	HA-0101	.100	1.365	.030	1,3	2	Y		MATCHED
BWR360-125-4	HA-0015	.125	.990	.030	1,2,3,4		Y		COMPRESSION
BWR360-125-4-1	HA-0342	.125	1.315	.030	1,2,3,4		Y		COMPRESSION
BWRK360-125-2	HA-0117	.125	1.315	.030	1,3		Y		MATCHED
BWR-K-360-1725-170-4	HA-0482	.170	1.495	.030	1,2,3,4		Y		MATCHED
BWRK360-170-3	HA-0293	.170	1.500	.030	1,3	2	Y		MATCHED
BWRK360-170-3-1	HA-0294	.170	1.500	.030	1,3	2	Y	GROUND BRAZED THRU	MATCHED
BWR360-250-4	HA-0345	.250	1.190	.030	1,2,3,4		Y		COMPRESSION

Headers

Sinclair TO-8 (0.600") 12-Pin Series

Outline



Notes:

- Parts subject to revision without notice.
- Call Sinclair to verify design, inventory counts and pricing.
- \$750 minimum order.

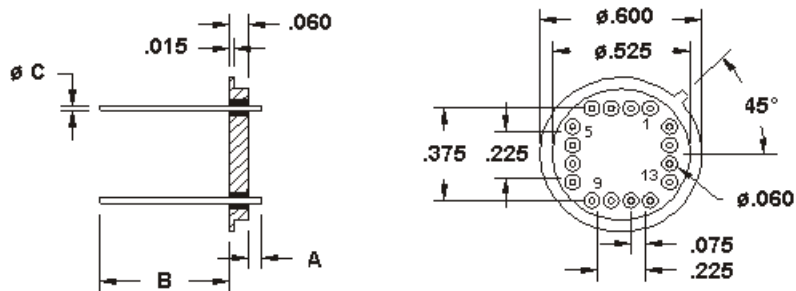
Details

Part Number	File No.	A	B	C	Isolated	Ground	Notes	Seal Type
BK600-020-12	HA-0795	.020	.200	.018	1,3,4,7-9,12	2,5,6,10,11	GND PINS DIM A = .000"	MATCHED
BSS600-020-12	HA-0675	.020	.250	.018	2-12	1	S.S. HEADER	COMPRESSION
B600-025-4	HA-0275	.025	.165	.018	2,5,8,11			COMPRESSION
B600-025-5	HA-0276	.025	.165	.030	2,5,8,11	6		COMPRESSION
B-K-600-025-12	HA-0680	.025	.190	.020	1-12		CERAMIC STANDOFF	MATCHED
BK600-025-12	HA-0776	.025	.325	.018	1-12			MATCHED
BWR600-025-6	HA-0791	.025	.500	.018	1-3,7,9	8		COMPRESSION
BK600-025-6-1	HA-0234	.025	.500	.018	1-3,7-9		STUD	MATCHED
B600-025-6-2	HA-0277	.025	.500	.018	4,6,10-12	5		COMPRESSION
B-K-600-720-025-12	HA-0487	.025	.500 MIN.	.018	1-12			MATCHED
B600-025-3	HA-0006	.025	.500 MIN.	.017	2,8	5		COMPRESSION
B600-025-3-2	HA-0466	.025	.515	.010	2,8	5		COMPRESSION
B600-025-3-1	HA-0278	.025	.515	.018	2,8	5		COMPRESSION
BK600-025-3	HA-0705	.025	.530	.018	2,8	11	NH PINS	MATCHED
B600-025-6	HA-0273	.025	1.440	.018	1,3,7-9	2	NO TAB	COMPRESSION
BK600-025-6	HA-0233	.025	1.540	.018	4,6,10-12	5		MATCHED
B600-025-6-1	HA-0274	.025	1.540	.018	4,6,10-12	5		COMPRESSION
B-K-600-030-12-1	HA-0570	.030	.250	.018	1-12			MATCHED
BK600-030-4	HA-0073	.030	.400	.030	2,5,11	8	NH PINS	MATCHED
B-K-600-030-2	HA-0674	.030	.400	.030	5,11		NH PINS; THRU HOLE #2	MATCHED
B-K-600-030-12	HA-0529	.030	.520	.018	1-12			MATCHED
B-K-600-1605-5-1G	HA-0501	.030	1.515	.018	1,3,7-9	2	NO TAB	MATCHED
BWR600-040-2	HA-0380	.040	.895	.020	2,8		WR; NO TAB, .040 FLG	COMPRESSION
BK600-045-10	HA-0237	.045	.890	.018	1-9	11		MATCHED
BK600-045-4	HA-0231	.045	1.145	.018	2,5,8,11		NO TAB	MATCHED
BWR600-050-4	HA-0381	.050	.490	.020	2,5,8,11		WR; NO TAB, .040 FLG	COMPRESSION
BWR600-050-5	HA-0382	.050	.490	.018	2,5,8,11	ODD	WR; NO TAB, .035 FLG	COMPRESSION
BK600-060-12	HA-0034	.060	.600	.018	1-12			MATCHED
BK600-130-6	HA-0232	.130	1.435	.018	4,6,10-12	5		MATCHED
BK600-140-10	HA-0238	.140	.895	.018	1-9	11		MATCHED
BK600-215-12	HA-0236	.215	.600	.018	1-12			MATCHED
BK600-247-5	HA-0235	.247	.533	.018	2,8	CENTER	NO TAB, .030 GND PED FACE	MATCHED
BK600-250-12	HA-0037	.250	.600	.018	1,2,4,5,7-12	3,6		MATCHED
B-K-600-910-250-10-2G-1	HA-0566	.250	.600	.018	1,2,4,5,7-12	3,6	PIN 12 DIM A = .035	MATCHED
BK600-250-12-1	HA-0465	.250	.600	.018	1-12			MATCHED
B-K-600-265-12	HA-0685	.265	.600	.018	1,2,4,5,7-12	3,6	PIN 12 DIM A = .055	MATCHED

Headers

Sinclair TO-8 (0.600") 16-Pin Series

Outline



Notes:

- Parts subject to revision without notice.
- Call Sinclair to verify design, inventory counts and pricing.
- \$750 minimum order.

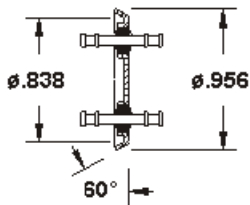
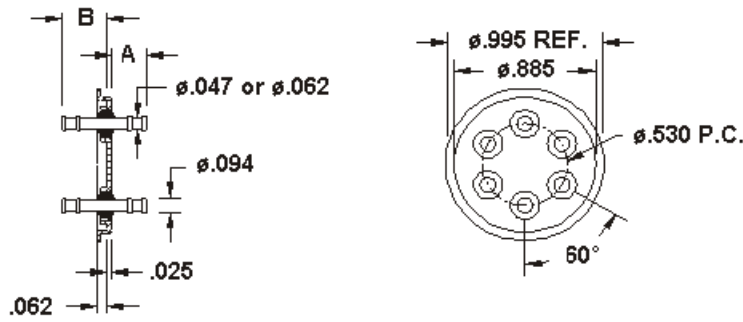
Details

Part Number	File No.	A	B	C	Isolated	Ground	Notes	Seal Type
BK600-015-16	HA-0785	.015	.365	.018	1-5,7-10,12	6,10,11		MATCHED
BK600-035-16	HA-0510	.035	.310	.018	1-16		NH PINS	MATCHED
BK600-035-16-1	HA-0623	.035	.500 MIN.	.018	1-16		TIE BARS	MATCHED
BK600-035-16-2	HA-0781	.035	1.030	.018	1-16		NH PINS	MATCHED
BK600-045-16	HA-0464	.045	.500 MIN.	.018	1-16			MATCHED
B-K-600-045-16-1	HA-0725	.045	.500 MIN.	.018	1-16		4-40 STUD	MATCHED
B600-045-16	HA-0279	.045	.890	.018	1-16			COMPRESSION
B-K-600-050-8	HA-0522	.050	.500	.018	1-4,9-12			MATCHED
B-K-600-060-4	HA-0672	.060	.600	.018	2,3,10,11		12 G/F HOLES	MATCHED
B-K-600-100-6	HA-0523	.100	.725	.018	1,4,9-12			MATCHED
BK600-100-6	HA-0014	.100	.825	.018	1,4,9-12			MATCHED
BK600-250-16	HA-0152	.250	.500 MIN.	.018	1-16			MATCHED
B-K-600-250-8	HA-0683	.250	.500 MIN.	.018	ODD (8)		(8) G/F HOLES	MATCHED

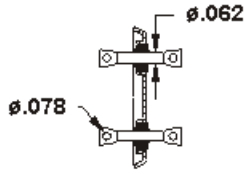
Headers

Sinclair B995 (7-7XX) Series

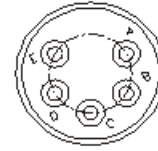
Outline



OPTIONAL FLANGE



FLATTENED / PIERCED PINS



PIN IDENTIFICATION
PER CUSTOMER
SPECIFICATION

Notes:

- Parts subject to revision without notice.
- Call Sinclair to verify design, inventory counts and pricing.
- \$750 minimum order.

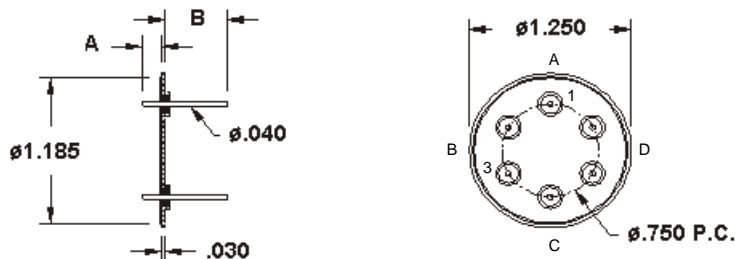
Details

Part Number	File No.	A	B	Flange	Pin Type	Pin ID	No. Pins	Notes	Seal Type
7-705-TH-1B	FT-0077	.219	.281	60°	TURRET		5		COMPRESSION
7-706-TH-1B	FT-0079	.219	.281	60°	TURRET		6		COMPRESSION
7-704-TH-L-3E-GF	FT-0348	.219	.281	60°	TURRET	LETTERS	4	ONE G/F HOLE	COMPRESSION
7-705-TH-1B-LETTERS-SP	FT-0076	.219	.281	60°	TURRET	LETTERS	5		COMPRESSION
7-705-TH-L-3E	MA-0015	.219	.281	60°	TURRET	LETTERS	5		COMPRESSION
7-704-TH-N-1B	FT-0075	.219	.281	60°	TURRET	NUMBERS	4		COMPRESSION
7-704-TH-L-3E	FT-0349	.219	.281	FLAT	TURRET	LETTER	4		COMPRESSION
7-704-TH-N-3E	FT-0350	.219	.281	FLAT	TURRET	NUMBERS	4		COMPRESSION
7-704-FP-1B	FT-0074	.313	.313	60°	FLAT/PIERCED		4		COMPRESSION
7-705-FP-1B	FT-0378	.313	.313	60°	FLAT/PIERCED		5		COMPRESSION

Headers

Sinclair B1250 Series

Outline



Pin-Out also available 4x 90°-Based (A-B-C-D)

Notes:

- Parts subject to revision without notice.
- Call Sinclair to verify design, inventory counts and pricing.
- \$750 minimum order.

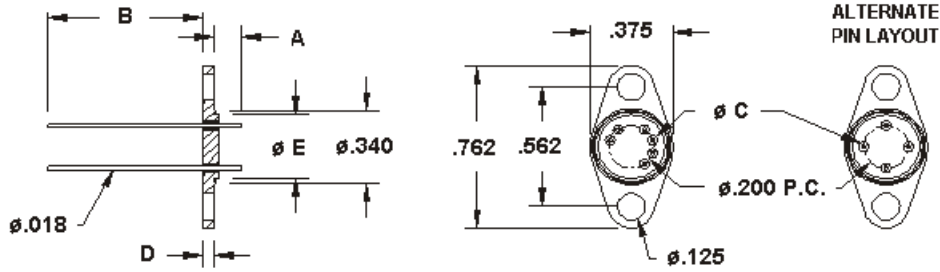
Details

Part Number	File No.	A	B	Isolated	Ground	Pin-Out	Notes	Seal Type
BWR1250-015-2-1	HA-0311	.015	.500	1,4				COMPRESSION
BWR1250-015-2-2	HA-0313	.015	.500	1,4			4-40 STUD	COMPRESSION
BWR1250-015-2	HA-0310	.015	.500	4	1			COMPRESSION
BWR1250-015-3	HA-0312	.015	.500	A,C	D	4-PIN		COMPRESSION
BWR1250-040-2-2	HA-0641	.040	.445	1,4				COMPRESSION
BWR1250-040-2-3	HA-0087	.040	.485	1,4				COMPRESSION
BWR1250-040-3	HA-0017	.040	.485	A,C,D		4-PIN		COMPRESSION
BWR1250-040-2	HA-0542	.040	.500 MIN.	1,4			2-56 STUD	COMPRESSION
BWR1250-040-2-1	HA-0545	.040	.500 MIN.	1,4			4-40 STUD	COMPRESSION
BWR1250-130-2	HA-0032	.130	.495	1,4			KOVAR PEDESTAL	COMPRESSION
BWR1250-140-2	HA-0104	.140	.485	1,4				COMPRESSION
BWR1250-145-3	HA-0013	.145	.469	A,C	D	4-PIN		COMPRESSION
BWR1250-145-2-1	HA-0314	.145	.485	1,4			.025 BASE, 10-32 STUD	COMPRESSION
BWR1250-145-2-2	HA-0316	.145	.485	1,4			4-40 STUD	COMPRESSION
BWR1250-145-6	HA-0318	.145	.485	1-6				COMPRESSION
BWR1250-145-3-1	HA-0317	.145	.485	A,C,D		4-PIN		COMPRESSION
BWR1250-145-2	HA-0307	.145	.490	1,4			.020" BASE THK; "S" MARK	COMPRESSION
BWR1250-145-2-3	HA-0319	.145	.655	1,4			4-40 STUD	COMPRESSION
BWR1250-185-4	HA-0309	.185	.225	1,4,5	B		GND IN 4-PIN POS #B	COMPRESSION
BWR1250-185-3	HA-0308	.185	.225	A,C	D	4-PIN		COMPRESSION

Headers

Sinclair TO-37 Series

Outline



Notes:

- Parts subject to revision without notice.
- Call Sinclair to verify design, inventory counts and pricing.
- \$750 minimum order.

Details

Part Number	File No.	A	B	C	Layout	Pedestal	# Isolated	# Ground	Notes	Seal Type
BWR762-030-3	HA-0386	.030	.475	.055	4-PIN	.282	2	1	1x SW + 1x FL PIN; 1x G/F	COMPRESSION
BWR762-050-3	HA-0387	.050	.890	.055	4-PIN	.300	3		1x G/F HOLE	COMPRESSION
BDWR762-100-6	HA-0011	.100	1.000	.048	10-PIN	.300	6			COMPRESSION
BWR762-100-6	HA-0392	.100	1.675	.048	10-PIN	.300	6			COMPRESSION
BDWR762-120-6	HA-0116	.125	1.000	.048	10-PIN	.300	6			COMPRESSION
BWR762-125-4	HA-0391	.125	1.550	.055	4-PIN	.300	4			COMPRESSION
BWR762-125-6	HA-0390	.125	1.550	.048	10-PIN	.300	6			COMPRESSION
BWR762375-125-6-1	HA-0670	.125	1.550	.048	10-PIN	.300	6			COMPRESSION
BDWR762-030-2	HA-0001	.160	.500	.055	4-PIN	.300	2		LENS PEDESTAL	COMPRESSION
BDWR762-180-6-1	HA-0008	.180	.500 MIN.	.048	10-PIN	.300	6		COPPER PEDESTAL	COMPRESSION
BWR762375-180-6-1	HA-0676	.180	.500 MIN.	.048	10-PIN	.300	6			COMPRESSION
BDWR762-180-6	HA-0007	.180	.905	.048	10-PIN	.300	6			COMPRESSION
BDWR762-250-4	HA-0080	.250	1.170	.055	4-PIN	.300	4			COMPRESSION
BWR762-250-3	HA-0388	.250	1.175	.055	4-PIN	.300	3			COMPRESSION
BWR762-250-4	HA-0332	.250	1.175	.055	4-PIN	.282	4			COMPRESSION
BWR762-250-6	HA-0389	.250	1.175	.048	10-PIN	.300	6			COMPRESSION
BDWR762-250-6	HA-0393	.250	1.525	.048	10-PIN	.300	6			COMPRESSION
BWR360-250-6	HA-0350	.250	1.530	.045	10-PIN	.300	6		ROUND TO-39 BASE	COMPRESSION

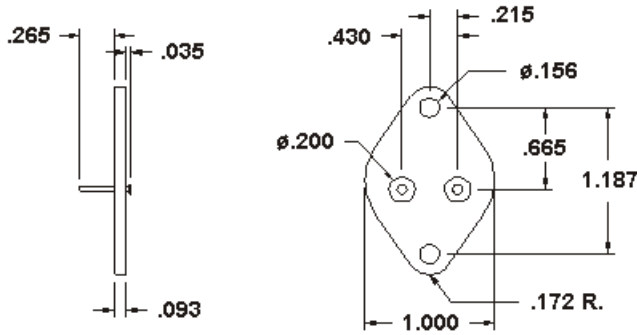
Headers

Sinclair TO- Outlines

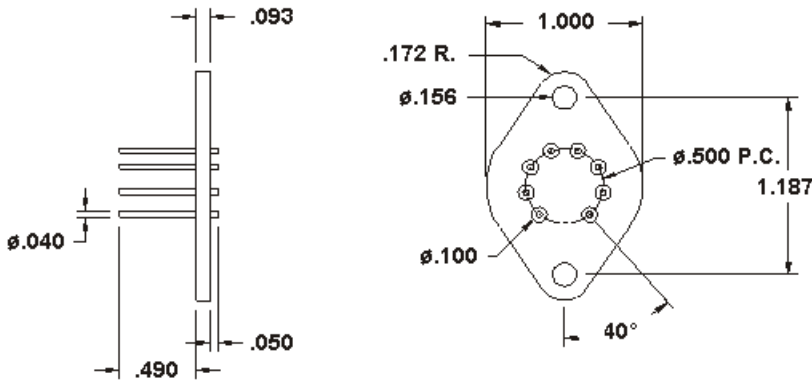
Notes:

- Parts subject to revision without notice.
- Call Sinclair to verify design, inventory counts and pricing.
- \$750 minimum order.

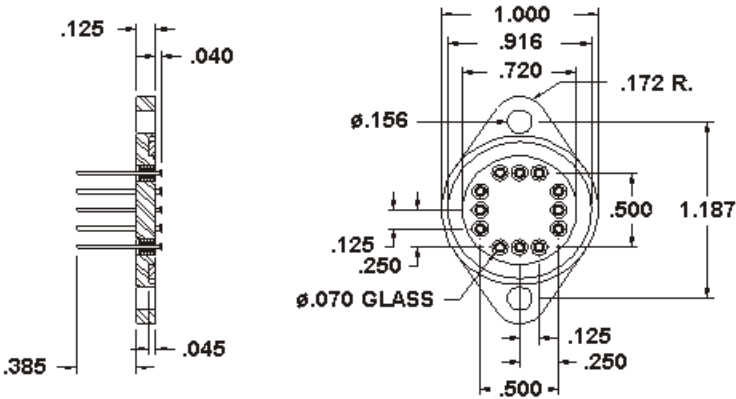
JEDEC TO-3 Style 1 BD1530-037-2 (HA-0643)



JEDEC TO-3 Style 2 BD1530-050-8 (HA-0634)



JEDEC TO-3 Style 3 BD1530-040-12 (HA-0638)

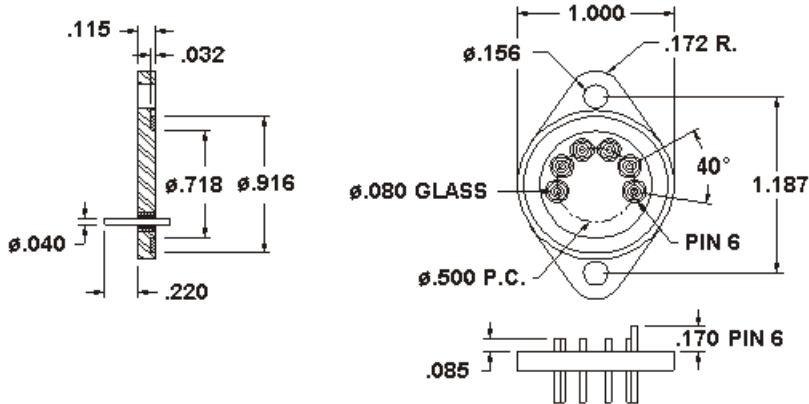


Headers

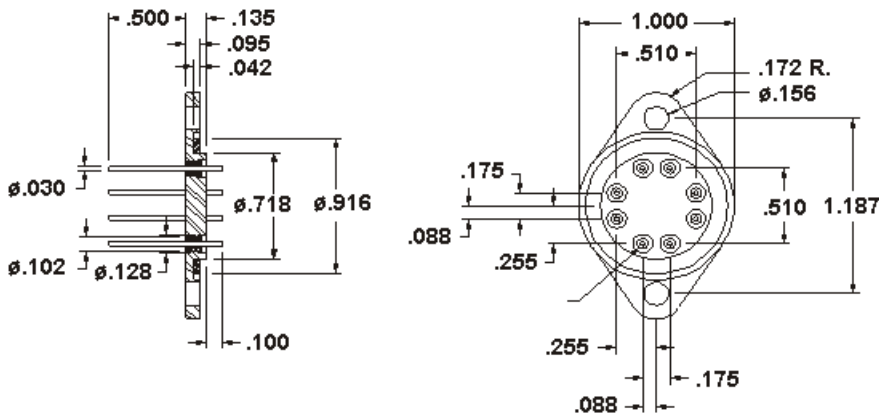
Sinclair TO- Outlines

- Notes:
- Parts subject to revision without notice.
 - Call Sinclair to verify design, inventory counts and pricing.
 - \$750 minimum order.

JEDEC TO-3 Style 4 BD1530-085-6 (HA-0618)



JEDEC TO-3 Style 5 BD1530-100-8 (HA-0653)



JEDEC TO-3 Style 6 BD1530-100-8-1 (HA-0544)

